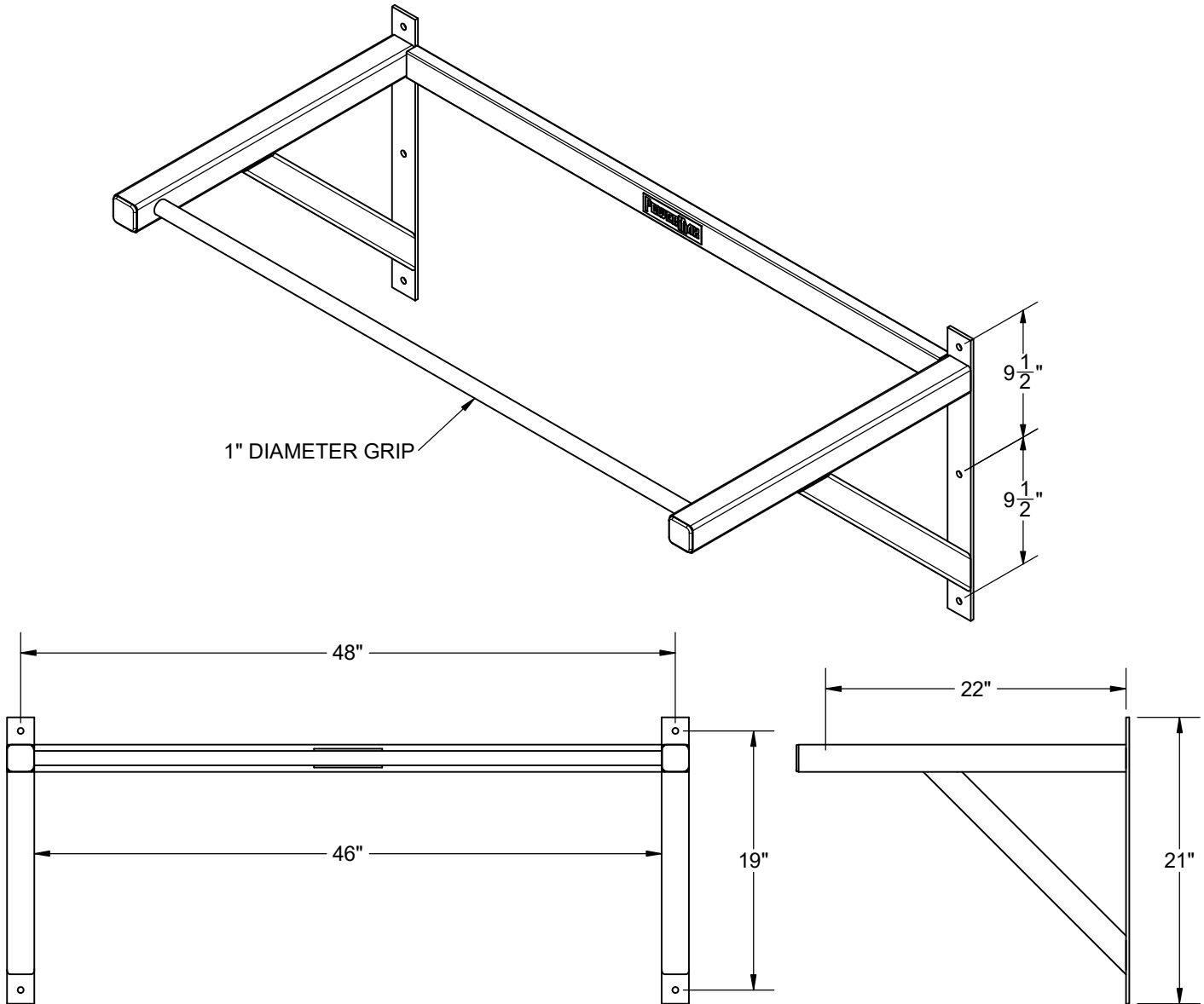


www.powermaxequipment.com
855-232-4666

The bar weldment shall consist of a 1" diameter solid bar 50" in length, with formed braces to support the bar 22" from the wall. Frame to be permanently fixed to wall with 3/8" hardware. Hardware not included. It should be selected based on type of wall/ceiling the unit is mounting to. Finish of entire unit to be pit and peel resistant durable, textured black powder coat.



WARRANTY

Chinning Bar is furnished with a 1-year limited warranty.

LEED® SUBMITTAL INFORMATION

Credit	Measure
MRC4-Recycled Content	Post Consumer Average 25% Post Industrial 0%
MRC5-Regional Materials	Raw materials originate from multiple sources so origin point cannot be determined. Final Manufacturing/Assembly in Champaign, IL 61822